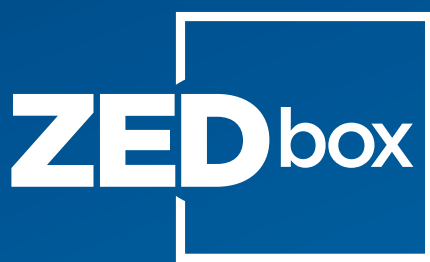


ALUMINIUM MODULE MOUNTING STRUCTURE



TM

ZEDbox Private Limited

*The Best Solar Power –
Generated by the Best Mounting Solution*



SOLAR MODULE MOUNTING SOLUTIONS PROVIDED BY ZEDBOX

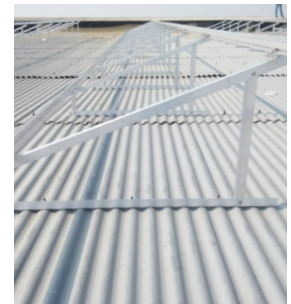
- Angle Mounting for Metal Sheets Roof for North/ East / West side Mounting for South facing with a tilt angle using Triangles and Continue Rail Solutions.
- Mono Rail Solutions for Metal Sheets using rivets / self-tapping screws and Adhesive Sealants.
- Full Rail Solutions for metal Sheet using rivets / self-tapping screws and Adhesive sealants.
- Solar Accessories: - Mid Clamp (U Type), End Clamp (Z Type), Allen Bolt- SS304, T-Bolt - SS304, Adhesive Sealants, Self-Drilling Screw with EPDM Rubber, Hex Nut & Bolt - SS304, Staad Pro Report
- Micro Rail Solution for metal Sheets Using rivets / self-tapping Screws & Adhesive sealents.

ADJUSTING ALUMINIUM SOLAR MOUNTING STRUCTURE: /Tripod Structure

We are supplying the most rebellious flat roof mounting solution in the world! These are fabricated and well-engineered for flat roof mounting applications. ZEDBOX Roof Mount is a non-penetrating solution that can be installed at a rate of 2-3kW per man hour, bringing it one of the swiftest, easiest and most profitable solutions on the market today.

The Customised design accommodates 0-29-degree module tilt and best of all, requires no ballast blocks or concrete in 150-180 kmph basic wind zone. The ZEDBOX MMS structures are designed to work with a variety of standoff and flashings when attachments are necessary for seismic and high wind zone requirements.

- High Quality products with user Friendly Components.
- Minimized penetrations with longer attachment spans than competitive products.
- Designed with customer input.
- Flush, high-profile or low-profile configuration Roof or ground mount Pitched or flat roof.
- Engineered Smart- Assemble, Don't Build.
- Faster, Flexible Components. Customizable tilt angles, Compatible with off-the-shelf wire management.



TRANGLE SET

ZED - TR01

TECHNICAL SPECIFICATIONS: -

DESCRIPTION	ZED BOX - ALUMMS 1
CONFIGURATION	AERODYNAMIC DESIGN ONE MODULES & TWO MODULES STRUCTURE
INSTALLATION WORK	FLAT ROOF/ PITCHED ROOF
DESIGN LIFETIME	25 YEARS
SIZE	As per Requirement
MATERIAL	ALUMINIUM ALLOY - 6063/T6
TILT ANGLE	As per Requirement
TRACKER TYPE	FIXED
DESIGN WIND LOAD	150-180 KM/HE (As per IS 875, Part 3-2016)
PANEL TYPE	ANY TYPE OF PV MODULE
MODULE ORIENTATION	LANDSCAPE OR POTRAIT
STURCTURE	ANODIZED ALUMINUM / MILL FINISH ALUMINIUM
DISTANCE FROM GROUND TO PANEL	As per Requirement
Nuts, Bolts, and Washers	SS304 Grade



Full Rail Solutions For Metal Sheets Using L Clamps & SDS Screws



Angle Mounting For Metal ROOF North/east/west Isde Mounting For South Facing With A Tilt Angle Using Zedbox Tripod Structure



MONORAIL ALUMINIUM SOLAR MOUNING STRUCTURE:

We are Supplying the most rebellious flat roof mounting solution in the world! These are well fabricated & well engineered for flat roof/ pitched roof mounting applications. ZEDBOX roof Mount is a non penetrating solution that can be installed at a rate of 2-3kW per man hour, bringing it one of the swiftest, easiest and most profitable solutions on the market today.

The customised design accomodates all types of module and best of all, requires no ballast blocks or concrete in 150-180 kmph basic wind zone. The ZEDBOX MMS Structures are designed to work with a variety of standoff and flashings when attachments are necessary for seismic and high wind zone requirments.



MONORAIL

ZED - MONO1

Engineered Smart-Assemble, Don't Build.

Designed with Customer Input.

High Quality Products with user friendly Components.

Minimised Penetrations with Longer attachment span than competetive Products.

Flush, High-Profile or Low-Profile Configuration roof or ground mount pitched or flat roof.

Faster, Flexible Components. customizable Tilt Angles, Compatible with off-the-shelf wire management.

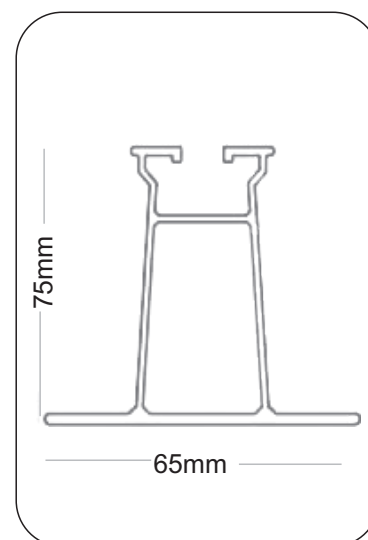
MONORAIL KIT ZED MONO-01



300mm Monorail-1pc
End Clamp/Mid Clamp-1pc
Railnut-1pc
Allen Bolt M8X16-1pc
Rivet-4pc
EPDM
Spring Washer-1pc

TECHNICAL SPECIFICATIONS: -

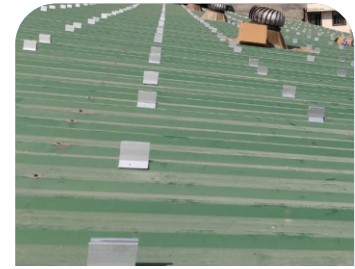
DESCRIPTION	ZED BOX - MONO-01
CONFIGURATION	AERODYNAMIC DESIGN STRUCTURE
INSTALLATION WORK	FLAT ROOF/ PITCHED ROOF
DESIGN LIFETIME	25 YEARS
SIZE	300mm
MATERIAL	ALUMINIUM ALLOY - 6063/T6
TRACKER TYPE	FIXED
DESIGN WIND LOAD	150-180 KM/HE (As per IS 875, Part 3-2016)
PANEL TYPE	ANY TYPE OF PV MODULE
MODULE ORIENTATION	LANDSCAPE OR POTRAIT
STURCTURE	ANODIZED ALUMINUM / MILL FINISH ALUMINIUM
DISTANCE FROM GROUND TO PANEL	As per Requirment
Nuts, Bolts, and Washers	SS304 Grade



MICRORAIL ALUMINIUM SOLAR MOUNTING STRUCTURE:

We are Supplying the most rebellious flat roof mounting solution in the world! These are well fabricated & well engineered for flat roof/ pitched roof mounting applications. ZEDBOX roof Mount is a non penetrating solution that can be installed at a rate of 2-3kW per man hour, bringing it one of the swiftest, easiest and most profitable solutions on the market today.

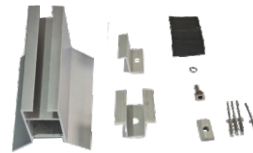
The customised design accomodates all types of module and best of all, requires no ballast blocks or concrete in 150-180 kmph basic wind zone. The ZEDBOX MMS Structures are designed to work with a variety of standoff and flashings when attachments are necessary for seismic and high wind zone requirments.



MICRORAIL
ZED - MICRO-01

Engineered Smart-Assemble, Don't Build.
Designed with Customer Input.
High Quality Products with user friendly Components.
Minimised Penetrations with Longer attachment span than competetive Products.
Flush, High-Profile or Low-Profile Configuration roof or ground mount pitched or flat roof.
Faster, Flexible Components. customizable Tilt Angles,
Compatible with off-the-shelf wire management.

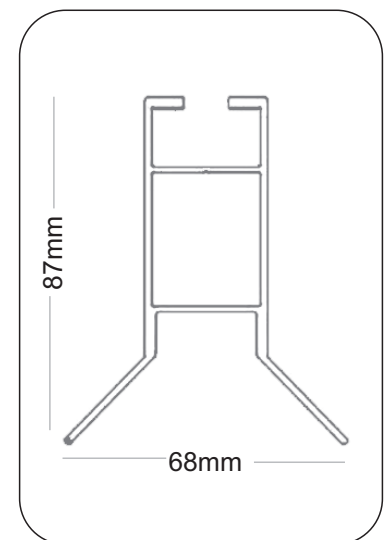
MICRORAIL-KIT ZED MICRO-01



100mm Microrail-1pc
End Clamp/Mid Clamp-1pc
Railnut-1pc
Allen Bolt M8X16-1pc
Rivet-4pc
EPDM
Spring Washer-1pc

TECHNICAL SPECIFICATIONS: -

DESCRIPTION	ZED BOX - MONO-01
CONFIGURATION	AERODYNAMIC DESIGN STRUCTURE
INSTALLATION WORK	FLAT ROOF/ PITCHED ROOF
DESIGN LIFETIME	25 YEARS
SIZE	100mm
MATERIAL	ALUMINIUM ALLOY - 6063/T6
TRACKER TYPE	FIXED
DESIGN WIND LOAD	150-180 KM/HE (As per IS 875, Part 3-2016)
PANEL TYPE	ANY TYPE OF PV MODULE
MODULE ORIENTATION	LANDSCAPE OR POTRAIT
STURCTURE	ANODIZED ALUMINIUM / MILL FINISH ALUMINIUM
DISTANCE FROM GROUND TO PANEL	As per Requirement
Nuts, Bolts, and Washers	SS304 Grade



ALUMINIUM SOLAR MOUNTING STRUCTURE:/FULL RAIL /CONTINUOUS RAIL WITH L CLAMP

We are supplying the most rebellious flat roof mounting solution in the world! These are fabricated and well engineered for flat roof mounting applications.

ZEDBOX Roof Mount is a solution that can be installed at a rate of 2-3kW per man hour, bringing it one of the swiftest, easiest and most profitable solutions on the market today.

The Customised design accommodates all kinds of modules and best of all, requires no ballast Blocks or concrete in 150-180 kmph basic wide zone. The ZEDBOX MMS Structure are designed to work with a variety of standoff and flashings when attachments are necessary for seismic and high wind zone requirements.

Engineered Smart-Assemble, Don't Build.

Designed with Customer Input.

High Quality Products with user friendly Components.

Minimised Penetrations with Longer attachment span than competitive Products.

Flush, High-Profile or Low-Profile Configuration roof or ground mount pitched or flat roof.

Faster, Flexible Components. customizable Tilt Angles,

Compatible with off-the-shelf wire management.

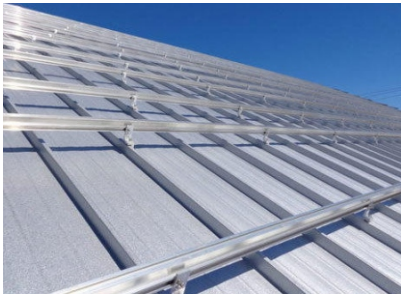


FULL RAIL/CONTINUOUS RAIL

ZED-CR01

TECHNICAL SPECIFICATIONS: -

DESCRIPTION	ZED BOX - CR01
CONFIGURATION	AERODYNAMIC DESIGN ONE MODULES
INSTALLATION WORK	FLAT ROOF/ PITCHED ROOF
DESIGN LIFETIME	25 YEARS
SIZE	As per Requirement
MATERIAL	ALUMINIUM ALLOY - 6063/T6
TILT ANGLE	NOT APPLICABLE
TRACKER TYPE	FIXED
DESIGN WIND LOAD	150-180 KM/HE (As per IS 875, Part 3-2016)
PANEL TYPE	ANY TYPE OF PV MODULE
MODULE ORIENTATION	LANDSCAPE OR POTRAIT
STURCTURE	ANODIZED ALUMINUM / MILL FINISH ALUMINIUM
DISTANCE FROM GROUND TO PANEL	As per Requirement
Nuts, Bolts, and Washers	SS304 Grade



Highlights of our Aluminium Brackets: -

- The System is Proven on Simulation Software Analysis and also in field.
- The material used is Virgin Aluminium 6063/T6. We do not use recycled Aluminium.
- We use only SS 304 Allen Bolts and SS spring washer.
- Mid Clamp, End Clamps, L Clamps and Purlin jointers are of Aluminium 6063/T6 grade.



PURLIN JOINTER

ZED - PJ100



END CLAMP

ZED - ECL35
ZED - ECL40



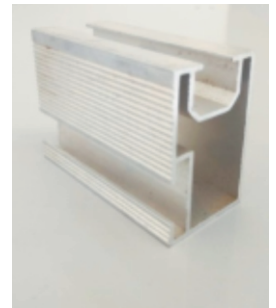
MID CLAMP

ZED - MCL35



L CLAMP

ZED - LC50 &



PURLIN RAIL

ZED - PR01



MID CLAMP

ZED MC 35



END CLAMP

ZED EC 35



T BOLT

ZED TB01



ALLEN BOLT

ZED AB



HEX NUT & WASHER

ZED -NUT



RAIL NUT

ZED RAILNUT



Ss304 MID CLAMP

ZED MC-SS-304



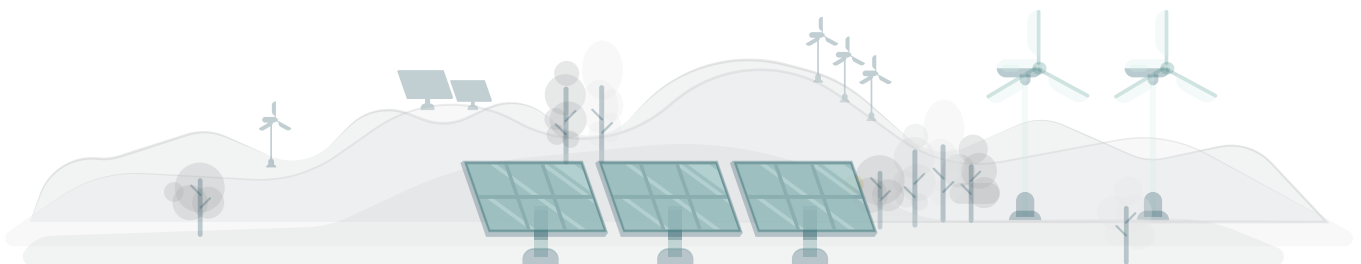
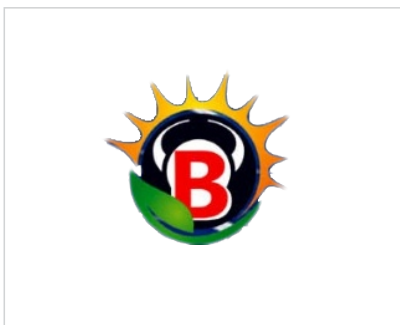
L CLAMP

ZED LC



SP NUT

ZED SPRNUT



ZEDbox Private Limited



Registered address: Plot no 87, Flat No G2, Indraprasth Colony, Vaishali Nagar, Jaipur-302021, Rajasthan , INDIA

Manufacturing Unit: H204, Road NO 5, Siwar Mod, RIICO Bundayaka Industrial Area, Jaipur-302012 , Rajasthan , INDIA

www.zedbox.co.in anand@zedbox.co.in

